

Product Specification
Multirate up to 10GBd Limiting Transceivers
TRX10GDP0310, TRX10GDP0410



Features

- Compliant to SFP+ Electrical MSA SFF-8431
- Compliant to SFP+ Mechanical MSA SFF-8432
- Multi rate of up to 11.3Gb/s
- 10G Ethernet compliance
- 2G/4G/8G Fibre Channel compliance
- Transmission distance up to 10km (SM fiber)
- Low power consumption: 0.85W (Typ.)
- 0°C to +70°C case operating temperature range
- Laser Class 1 IEC / CDRH compliant
- RoHS 6/6 compliant
- Compliant with product safety standards

MergeOptics SFP+ LR is a multipurpose multi-rate optical transceiver module for transmission at 1310nm over single mode fiber. Supporting Ethernet and Fibre Channel standards make it ideally suited for 10G datacom and storage area network applications. Its sub watt power consumption and its excellent EMI performance allow system design with high port density. The small form factor integrates a 1310nm distributed feedback laser (DFB) in an LC package and a PIN receiver. MergeOptics module is lead free, RoHS compliant and is designed and tested in accordance with industry safety standards.

Supported Standards

Application	Standard	Data Rate
IEEE 802.3ae-2002	10 GBASE-LR	10.3125 GBd
8G Fibre Channel	800- SM-LC-L	8.5 GBd
4G Fibre Channel	400-SM-LC-L	4.250 GBd
2G Fibre Channel	200-SM-LC-L	2.125 GBd

Please note that not all the module part numbers support all standards.
Please refer to the ordering information for more details.

Table of Contents

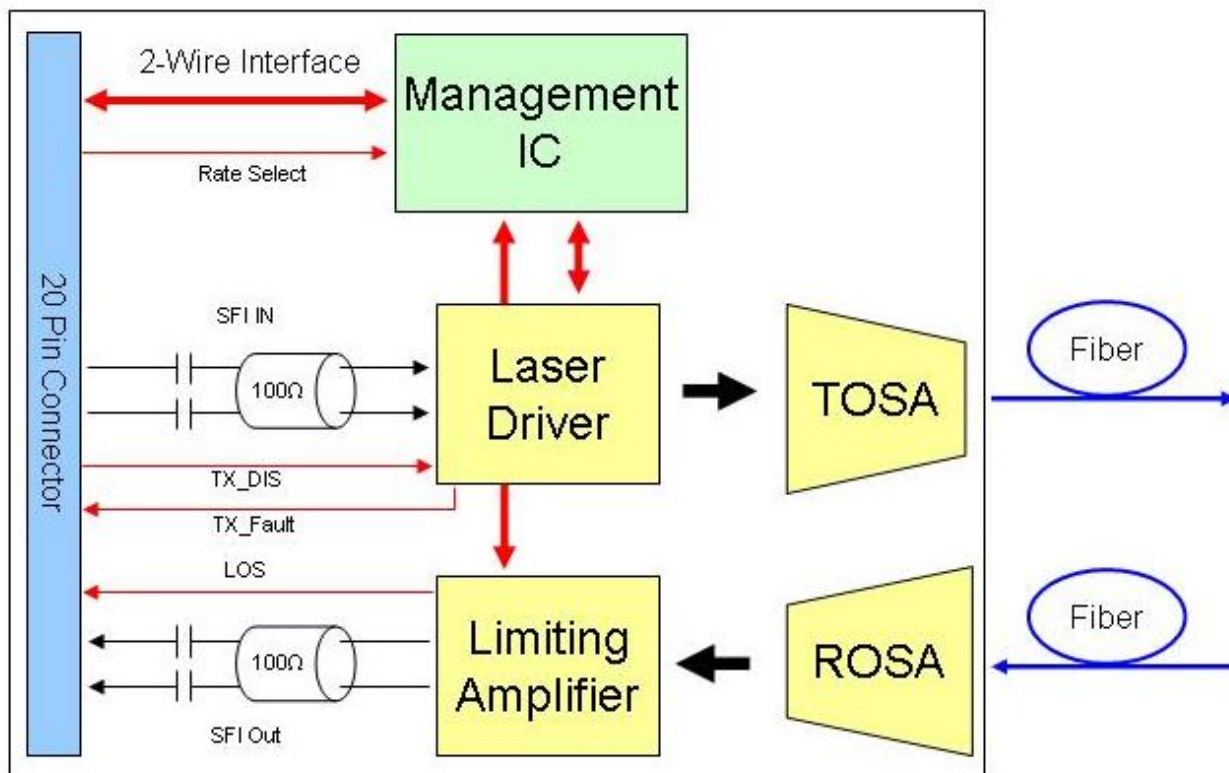
Functional Description	3
Technical Data	4
Electrical Characteristics.....	4
Absolute Maximum Ratings.....	4
Recommended Operating Conditions	4
Low Speed Characteristics.....	4
SFI Module Transmitter Input Characteristics	5
SFI Module Receiver Output Characteristics	5
Optical Characteristics	6
General Parameters	6
Optical Transmitter	6
Optical Receiver	6
Application Information.....	7
Connector Pinout.....	7
Electrical Pin Definition.....	7
Application Schematics	8
Interfacing the Transceivers.....	9
Module Identifier & Specific Data	9
Digital Optical Monitoring	9
Module Outline	11
Regulatory Compliance	12
Module Safety	12
ESD & Electromagnetic compatibility.....	12
Ordering Information	13

Functional Description

The Transceivers convert information from electrical to optical format, and back again, at different data rates depending upon the chosen standard.

The transmit path consists of an AC coupled 100 ohm differentially terminated driver coupled to a highly reliable 1310nm DFB. The laser output may be disabled by pulling the TX_DISABLE line high. The laser is also disabled if this line is left floating, as it is pulled high inside the transceiver. The SFP+ MSA (Multiple Source Agreement) defines 2 RATE_SELECT lines, one for the transmitter (pin 9) and one for the receiver (pin 7).

The receiver path consists of a ROSA (receiver optical sub-assembly) for optical electrical conversion, followed by a limiting amplifier to boost the electrical signal. A LOSS_OF_SIGNAL (LOS) status line is provided to facilitate easy link detection. The receiver RATE_SELECT pin is not used by the transceiver.



Technical Data

Electrical Characteristics

Absolute Maximum Ratings

Rating	Conditions	Symbol	Min	Max	Units
Storage Ambient Temperature Range		ϑ_{stg}	-40	+85	°C
Powered Case Temperature Range		ϑ_c	0	+75	°C
Operating Relative Humidity	Non condensing	RH	0	95	%
Supply Voltage Range @ 3.3V		V_{CC3}	-0.5	3.6	V
Open Drain VCC Level		V_{OD}		4.0	V
Static Discharge Voltage on High Speed Pins	HBM human body model per JEDEC JESD22-A114-B			1	kV
Static Discharge Voltage excluding High Speed Pins	HBM human body model			2	kV
Static Discharge Voltage on SFP+ Module	EN61000-4-2 Criterion B: Air Discharge Direct Contact discharge			15 8	kV

Any stress beyond the maximum ratings may result in permanent damage to the device. Specifications are guaranteed only under recommended operating conditions.

Recommended Operating Conditions

Parameter	Conditions	Symbol	Min	Typ	Max	Units
Operating Case Temperature Range	altitude of < 3km	ϑ_{Case}	0		+70	°C
Power Supply Voltage @ 3.3V		V_{CC3}	3.135	3.300	3.465	V
DC Common Mode Voltage		V_{CM}	0		3.6	V

Low Speed Characteristics

Parameter	Conditions	Symbol	Min	Typ	Max	Units
Supply Current Transmitter	@ V_{CCTX}	I_{VCCTX}		260		mA
Supply Current Receiver	@ V_{CCRX}	I_{VCCRX}		120		mA
Power Consumption				0.85		W
TX_Fault, RX_LOS, SCL, SDA	Host Vcc Range 2V – 3.46V	V_{OL}	0		0.4	V
		V_{OH}	Host_Vcc – 0.5		Host_Vcc + 0.3	
TX_Dis	Low Voltage TTL	V_{IL}	-0.3		0.8	
		V_{IH}	2.0		VccT + 0.3	
SCL, SDA	Host Vcc Range 3.14V – 3.46V	V_{IL}	-0.3		VccT* 0.3	
		V_{IH}	VccT* 0.7		VccT + 0.5	
		V_{OL}	0.0		0.4	
		V_{OH}	Host_Vcc – 0.5		Host_Vcc + 0.3	

Product Specification

10Gb/s SFP+ 1310nm Limiting Transceivers



SFI Module Transmitter Input Characteristics

Parameter	Conditions	Symbol	Min	Typ	Max	Units
Supported Data Rate		V_{ID}	2	10.3125	11.3	Gbd
Reference Differential Input Impedance		Z_d		100		Ω
Input AC Common Mode Input Voltage			0		25	mV (RMS)
Differential Input Voltage Swing		V_{ID}	150		900	mV
Differential Input S-parameter	0.01 – 3.9GHz	SDD11			-10	dB
	3.9 – 11.1GHz		¹⁾		¹⁾	dB
Differential to Common Mode Conversion ²⁾	0.01 – 11.1GHz	SCD11			-10	dB
Total Jitter		TJ			0.28	UI(p-p)
Data Dependant Jitter		DDJ			0.1	UI(p-p)
Uncorrelated Jitter		UJ			0.023	RMS
Eye Mask	See SFP+ MSA	X1			0.14	UI
		X2			0.35	UI

- 1) Differential Return Loss given by equation $SDD11(dB) = -8 + 13.33 \log_{10}(f/5.5)$, with f in GHz
 2) Common mode reference impedance is 25 Ω . Differential to common mode conversion relates to generation of EMI

SFI Module Receiver Output Characteristics

Parameter	Conditions	Symbol	Min	Typ	Max	Units
Supported Data Rate			2	10.3125	11.3	Gbd
Reference Differential Output Impedance		Z_d		100		Ω
Termination Mismatch		ΔZ_d			5	%
Output AC Common Mode Voltage					15	mV (RMS)
Differential Output Amplitude	$R_{Load} = 100\Omega$, Differential	V_{OSPP}	350	650	800	mV
Output Rise and Fall time	20% to 80%	t_{RH}, t_{FH}	24		35	ps
Differential Output S-parameter	0.01 – 3.9GHz	SDD22			-10	dB
	3.9 – 11.1GHz				¹⁾	dB
Common Mode Output Return Loss ²⁾	0.01 – 6.5GHz	SCC22			-7	dB
	6.5 – 11.1GHz				-3	dB
Deterministic Jitter		DJ			0.42	UI(p-p)
Total Jitter	See SFP+ MSA	TJ			0.7	UI(p-p)

- 1) Return Loss given by equation $Sxx22(dB) = -8 + 13.33 \log_{10}(f/5.5)$, with f in GHz
 2) Common mode reference impedance is 25 Ω . Common mode return loss helps absorb reflection and noise improving EMI

Product Specification

10Gb/s SFP+ 1310nm Limiting Transceivers



Optical Characteristics

General Parameters

Parameter	Conditions	Min Modal Bandwidth (MHz*km)	Symbol	Min	Typical	Units
Operating Range			I_{OP}		10	km

Optical Transmitter

Parameter	Conditions	Symbol	Min	Typ	Max	Units
Nominal Wavelength		λ_{TRP}	1290	1310	1330	nm
Side Mode Suppression Ratio		SMSR	30			dB
Average Launch Power		P_{avg}	-8.2		0.5	dBm
Optical Modulation Amplitude	10.3125Gb/s Ethernet	P_{OMA}	-5.2			dBm
	Fiber Channel		-5.2			
Extinction Ratio		ER	3.5			dB
Relative Intensity Noise		RIN			-128	dB/Hz

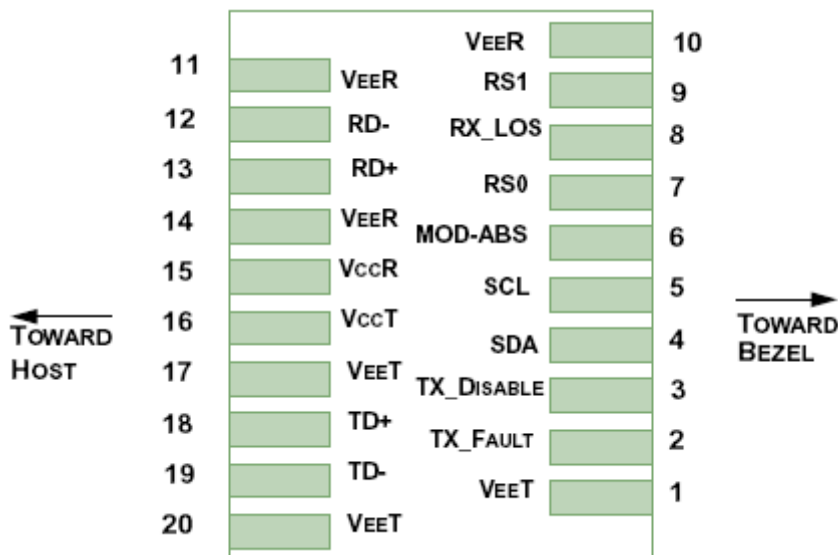
Optical Receiver

Parameter	Conditions	Symbol	Min	Typ	Max	Units
Maximum Input Power		P_{MAX}			0.5	dBm
Center Wavelength		λ_C	1290	1310	1330	nm
Receiver Sensitivity	OMA, PRBS $2^{31}-1$, BER < $1 \cdot 10^{-12}$ @10.3125Gb/s	P_{IN}	-12.6			dBm
	OMA, PRBS $2^{31}-1$, BER < $1 \cdot 10^{-12}$ @4Gb/s		-13.2			
	OMA, PRBS $2^{31}-1$, BER < $1 \cdot 10^{-12}$ @2Gb/s		-16.6			
Stressed Receiver Sensitivity	OMA, PRBS $2^{31}-1$, BER < $1 \cdot 10^{-12}$ @10.3125Gb/s	P_{IN}	-10.3			dBm
Loss of Signal		P_{av_as}	-30			dBm
		P_{OMA_deas}			-13.2	

Note: The specified characteristics are met within the recommended range of operating. Unless otherwise noted typical data are quoted at nominal voltages and +25°C ambient temperature.

Application Information

Connector Pinout



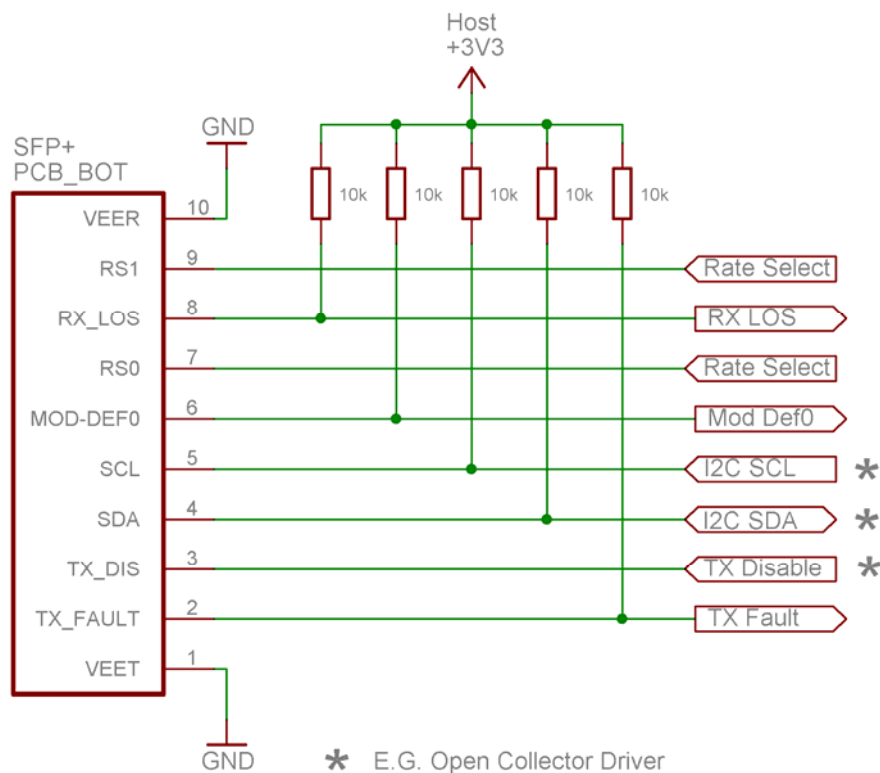
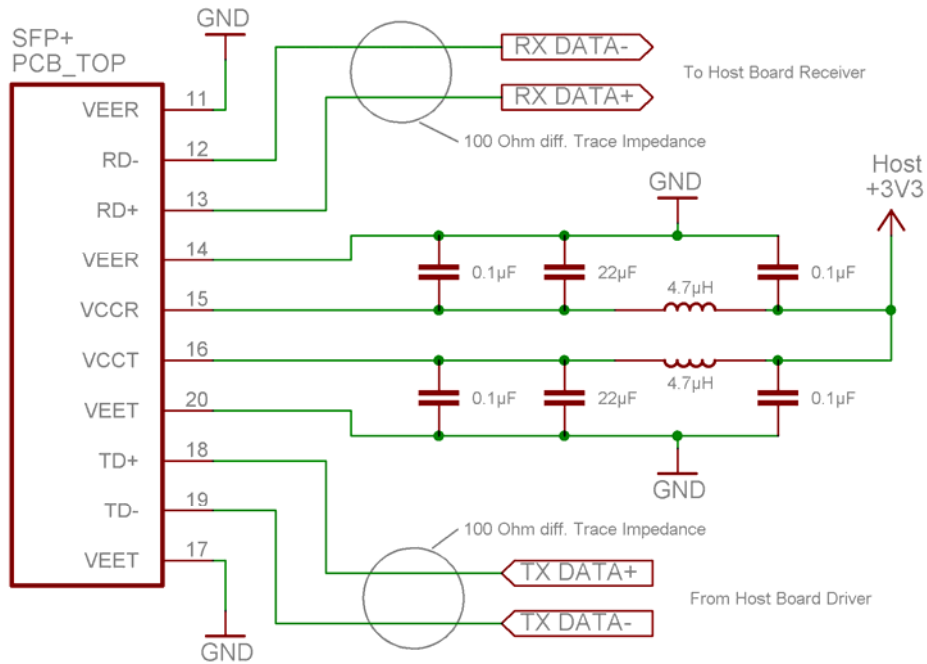
Electrical Pin Definition

PIN	Logic	Symbol	Name / Description	Note
1		VeeT	Module Transmitter Ground	1
2	LVTTL-O	TX_Fault	Module Transmitter Fault	
3	LVTTL-I	TX_Dis	Transmitter Disable; Turns off transmitter laser output	
4	LVTTL-I	SCL	2-Wire Serial Interface Clock	2
5	LVTTL-I/O	SDA	2-Wire Serial Interface Data Line	2
6		MOD_DEF0	Module Definition, Grounded in the module	
7	LVTTL-I	RS0	Receiver Rate Select	
8	LVTTL-O	RX_LOS	Receiver Loss of Signal Indication Active LOW	
9	LVTTL-I	RS1	No function implemented	
10		VeeR	Module Receiver Ground	1
11		VeeR	Module Receiver Ground	1
12	CML-O	RD-	Receiver Inverted Data Output	
13	CML-O	RD+	Receiver Data Output	
14		VeeR	Module Receiver Ground	1
15		VccR	Module Receiver 3.3 V Supply	
16		VccT	Module Receiver 3.3 V Supply	
17		VeeT	Module Transmitter Ground	1
18	CML-I	TD-	Transmitter Inverted Data Input	
19	CML-I	TD+	Receiver Non-Inverted Data Output	
20		VeeT	Module Transmitter Ground	1

1. Module ground pins GND are isolated from the module case.
2. Shall be pulled up with 4.7K-10Kohms to a voltage between 3.15V and 3.45V on the host board.

Application Schematics

Recommended electrical connections to transceiver are shown below.



Interfacing the Transceivers

Communication is done by a serial 2-wire interface similar to the I2C bus protocol. As described in the document SFF-8472 there are two distinct address spaces:

Base Address A0(hex)	
Byte Address	Content
0 - 95	Serial Transceiver ID as defined in SFP MSA
96 - 127	MergeOptics Specific
128 - 255	Reserved

Base Address A2(hex)	
Byte Address	Content
0 - 55	Alarm & Warnings thresholds & limits
56 - 95	External calibration constants (not used)
96 - 119	Values from real time diagnostic monitoring
120 - 127	Not used
128 - 247	Customer specific, writable area
248 - 255	Not used

Module Identifier & Specific Data

Refer to SFF-8472 for a detailed listing of registers

Digital Optical Monitoring

Transceivers offer the ability to monitor important module parameter during operation. The five parameters listed below are continuously monitored for getting information about the current module status. All data is calibrated internally; there is no need for external post processing.

Temperature

Internally measured temperature data is represented as two's complement of a signed 16-bit value in increments of $1/256$ °C over a range of -40 to +100°C. Accuracy is better than +/-3%.

Supply Voltage (VCC)

Internally measured supply voltage. Represented as a 16-bit unsigned integer with the voltage defined as the full 16 bit value (0 – 65535) with LSB equal to 100 μ Volt, which yields to a total range of 0 to +6.55 Volts. Accuracy is better than +/-3%.

Laser Bias Current

VCSEL bias current. Represented as a 16 bit unsigned integer with the current defined as the full 16-bit value (0 – 65535) with LSB equal to 2 μ A, valid range is 0 to 20 mA. Accuracy is better than +/-10%.

Optical Transmitter Power

TX output power measurement is based on internal monitor diode feedback. Represented as a 16-bit unsigned integer with the power defined as the full 16 bit value (0 – 65535) with LSB equal to 0.1 μ W. Accuracy is better than +/-3dB over a range of $P_{av_{min}}$ to $P_{av_{max}}$.

Product Specification

10Gb SFP+ 1310nm Limiting Transceivers



Receiver Optical Power

RX input power measurement is based on photodiode diode current. Represented as a 16-bit unsigned integer with the power defined as the full 16 bit value (0 – 65535) with LSB equal to 0.1 μ W. Accuracy is better than +/-3dB over a range of -12dBm to -1dBm.

Note: The specified characteristics are met within the recommended range of operating conditions regarding temperature and voltage.

Eye Safety

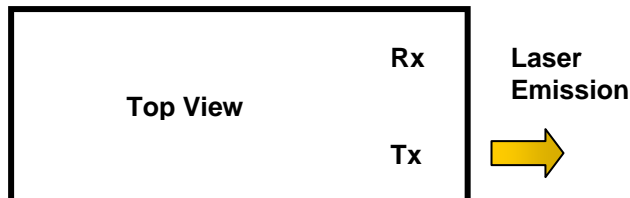
This laser based multimode transceiver is a Class 1 product. It complies with IEC 60825-1: 2007 and FDA performance standards for laser products (21 CFR 1040.10 and 1040.11) except for deviations pursuant to Laser Notice 50, dated June 24, 2007.

CLASS 1 LASER PRODUCT

Caution: use of controls or adjustments or performance of procedures other than those specified herein may result in hazardous radiation.

Note: All adjustments have been made at the factory prior to shipment of the devices. No maintenance or alteration to the device is required. Tampering with or modifying the performance of the device will result in voided product warranty. Failure to adhere to the above restrictions could result in a modification that is considered an act of “manufacturing”, and will require, under law, recertification of the modified product with the U.S. Food and Drug Administration (ref. 21 CFR 1040.10 (i)).

Laser Emission Data



Wavelength	1310 nm
Maximum total output power (as defined by IEC: 7 mm aperture at 70 mm distance)	15.6 mW / 11.9 dBm
Beam divergence (full angle) / NA (half angle)	11° / 0.1 rad

Required Labeling

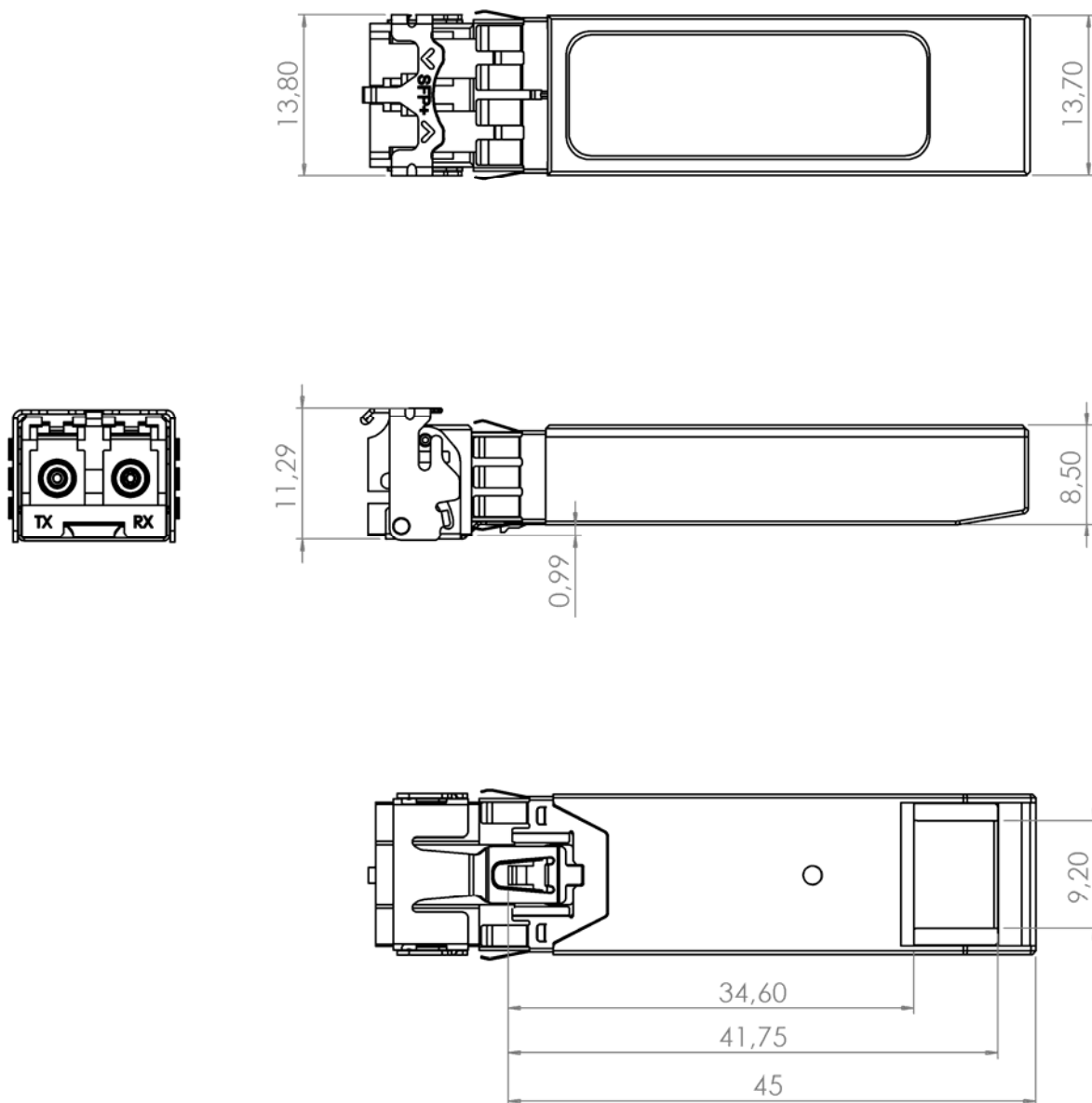
FDA

Compliant to 21 CFR
1040.10 and 1040.11

IEC

Class 1 Laser Product

Module Outline



All dimensions shown are in millimeters.

Regulatory Compliance

Module Safety

MergeOptics SFP+ LR modules are designed to meet international requirements and standards in terms of product safety. Tests were performed according to IEC 60950-1:2001 (CB scheme). The module is RoHS compliant according to the European Parliament requirements on the restriction of the use of hazardous substances in electrical and electronic equipment (RoHS). The modules optical output power meet Class 1 requirements for laser safety.

Requirements	Standard	Status
Module Safety	IEC 60950-1:2001 EN 60950-1:2001	TUV Report / Certificate available CB Report / Certificate available
RoHS Compliance	RoHS Directive 2002/95/EC Amendment 4054 (2005/747/EC)	RoHS 6/6 compliant Certificate of compliance available
Laser Eye Safety	CDRH 21 CFR 1040.10 and 1040.11 IEC 60825-1 Rev2 2007	Laser Class 1 according to FDA Laser Class 1 according to IEC Rev2

ESD & Electromagnetic compatibility

MergeOptics SFP+ LR modules are designed to withstand high ESD voltages. Its excellent performances in terms of EMI allow system designers to integrate the module in high density applications.

Requirements	Standard	Status
Electro Static Discharge to the Electrical Pins (ESD)	EIA/JESD22-A114-B MIL-STD 883C Method 3015.7	Exceeds requirements Class 1B (>1000V)
Immunity to ESD (housing, receptable)	IEN 61000-4-2 IEC61000-4-2	Exceeds requirements Discharges ranging from 2kV to 25kV without damages to the transceiver
Electromagnetic Emission (EMI)	FCC Part 15, Class B EN 55022 Class B CISPR 22	Exceeds requirements Class B with more than 6dB margin

Product Specification

10Gb SFP+ 1310nm Limiting Transceivers



Ordering Information

Part Number Coding Scheme

TRX	10G	D	P	03	10
Transceiver	Data Rate	Source	Photodiode	Standard	MSA
	10G 10 Gbit/s	D DFB	P PIN	3 10GE/10GFC	10 SFP+
				53 2/4/8/10G FC	

Overview Part Number Products

Application	Standard	Limiting Interface
10G Ethernet	IEEE 802.3ae 10GBASE-LR	TRX10GDP0310
2/4/8/10G Fibre Channel	FC-PI-4 800-SM-LC-L FC-PI-4 400-SM-LC-L FC-PI-4 200-SM-LC-L	TRX10GDP0410

For further information please contact us at:

Web: www.mergeoptics.com

Email: info@mergeoptics.com

marketing@mergeoptics.com

sales@mergeoptics.com

technical_support@mergeoptics.com